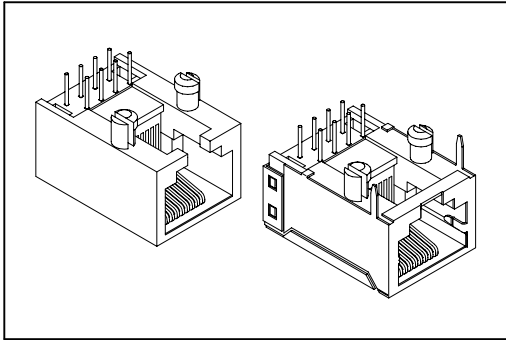


# 8949-K1 Series

## Modular Jack



### Material:

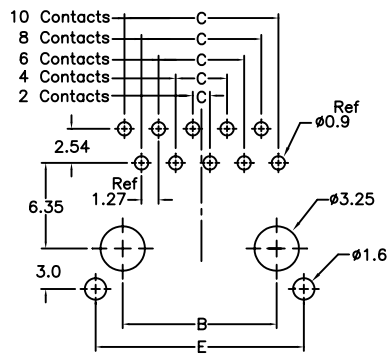
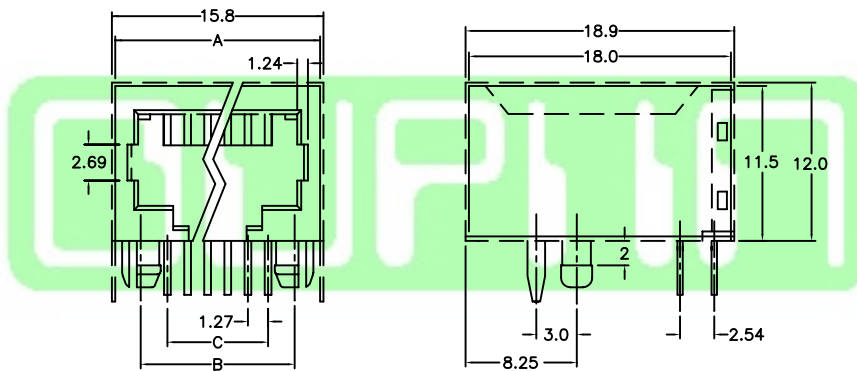
Housing: 30% Glass filled PBT UL94V-0.  
 Contacts: Phosphor Bronze.  
 Shield: Brass, Nickel plated.  
 Plating: Selective Gold plated on contact area over Nickel.

### Electrical Characteristics:

Current Rating: 1.5 AMP.  
 Insulator Resistance: 1000MΩ min. at DC 500V.  
 Contact Resistance: 30mΩ max. at DC 100mA.  
 Operating Temperature: -40°C~+85°C.

### Features:

- \* 50μ"gold meets FCC 68 requirements.
- \* Available in 4, 6, 8, 10 position housing.
- \* Industry compatible profiles and foot prints.
- \* Available in selective loading.
- \* Contact pre-loaded and self aligned.



P.C. Board Layout  
(Top View)

No. of Position	No. of Contacts	Dimensions			
		A	B	C	E
4	4	11.20	7.62	3.81	
6	2	13.20	10.16	1.27	
6	4	13.20	10.16	3.81	
6	6	13.20	10.16	6.35	
8	8	15.20	11.43	8.89	15.30
10	10	15.20	11.43	11.43	15.30

## Ordering information

8949-K1	<u>10</u>	<u>10</u>	<u>/06</u>	<u>S</u>	<u>B</u>	<u>A</u>
Series	10: 10 Position Housing 8: 8 Position Housing 6: 6 Position Housing 4: 4 Position Housing	10: 10 Contacts Loaded 8: 8 Contacts Loaded 6: 6 Contacts Loaded 4: 4 Contacts Loaded 2: 2 Contacts Loaded	06: 6 μ" Gold Plated 15: 15 μ" Gold Plated 30: 30 μ" Gold Plated 50: 50 μ" Gold Plated	S: Shield (Only for 8, & 10 Position)	B: Black	A: Tray Package